

POWERJACK A Brilliant Way for Power Transfer

Wireless Power Solution

Power Supply Wirelessly



Door Position Status



REX Signals



Features

- Works on a gap space up to 7mm between each unit.(Correct alignment)
- Allow with horizontal dislocation up to 2mm, vertical dislocation up to 2mm.
(Poor alignment might reduce the efficiency)
- Provide 2 x DI (Door side) & 4 x DO (Frame side).
- 2 sets of door closing timer - both fix timer & adjustable timer.
- Status indicator light.
- For all kinds of doors wooden door, aluminum or steel doors.
- Dual voltage selectable power output 12VDC or 24VDC.
- Fail secure/PTO devices only, not for fail safe/PTL application.
- Minimal maintenance has no other exposed moving parts.
- Flexible it can be install on hinge side, latch side or on the top of door where it is suitable.
- Time/Cost effective no longer require door core drilling.
- Patented solution.
- FCC part 15B & 15C test pass, UL 10C fire rated pending.

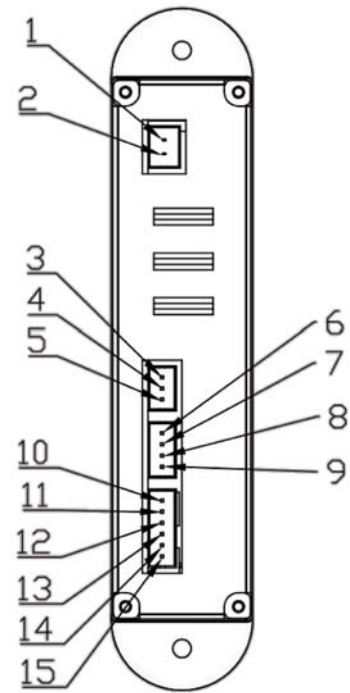
Technical Information

Dimensions	Frame Side (Side) & Door Side (Receive)	131 x 25 x 37 mm
	Use With	Fail Secure / PTO Locks Only
	Output Voltage	12VDC / 24VDC
	Output Ampage	500mA @ 12VDC / 250mA @ 24VDC
	Max Door Gap	5.0 mm (With Horizontal < 2mm, Vertical < 2mm)
	Max Input Power	500mA @ 24VDC
	Door Tickness	>35mm
	I/O	Door Side (Receive)
Frame Side (Side)		DO x 2 Solid State Relay, 60V 100mA 1. Door Position (NO, Door Open)
		DO x 2 (NC/NO/COM) for Door Side
		DI x 2 for Door Open Timer 4 Second (Fix Timer) 3~90 Second (by Control)
LED Indicator		Bi-Color LED @ Frame Side
Operating Temperature	-20°C~60°C	

Input/Output Information (Frame Side Connectivity)

Power Input DC 24V	1	Positive
	2	Negative
Remote Open Input (Dry Contact)	3	Momentary Open (3 Seconds)
	4	Common
	5	Hold to Open (max. to 90 seconds)
Output Status (Dry Contact, Max. 60v, 100mA)	6, 7	Door Status
	8, 9	Error Status
Output Relay (For door side input switch) (Normal = Door side input switch open)	10	NC1
	11	COM1 (for switch #1)
	12	NO1
	13	NC2
	14	COM2 (for switch #2)
	15	NO2

Frame Side



Input/Output Information (Door Side Connectivity)

Switch #1	1	pin#1
	2	pin#2
Switch #2	3	pin#1
	4	pin#2
Power Output (DC24V / DC12V)	5	Positive
	6	Negative
Voltage Selector	7	DC 12V
	8	DC 24V

Door Side

