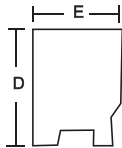
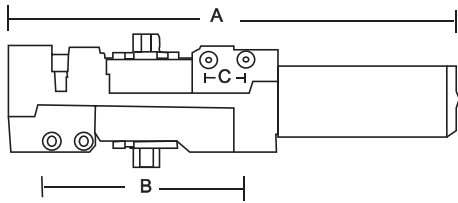


Mode No.: 1303 Door Closer , ANSI A156.4, GRADE 1

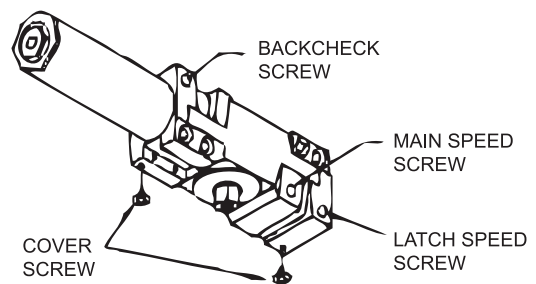
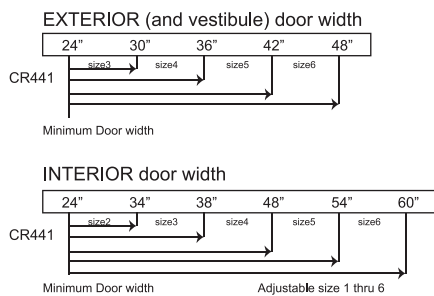
Specifications:



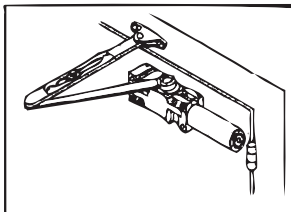
- A. Length of Closer Body 11"
- B. Horizontal Mounting Holes 5"
- C. Vertical Mounting Holes 1"
- D. Width of Closer Body 2 3/4"
- E. Projection from Door 2"



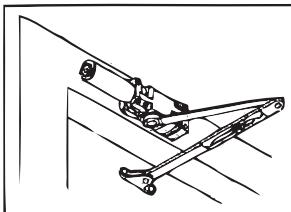
Closing power of 1303 Series closers may be adjusted 50%. Shows recommended range of door width for closer size.



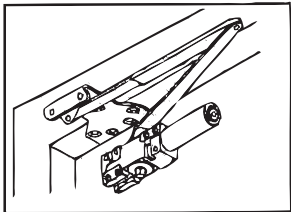
STANDARD MOUNT
(PULL SIDE)

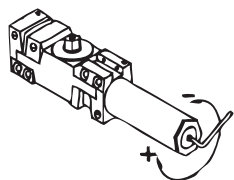


TOP JAMB MOUNT
(PUSH SIDE)



PARALLEL MOUNT
(PUSH SIDE)





Spring power Adjustment

Features:

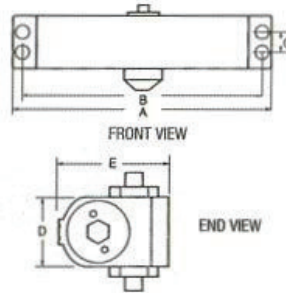
- Universal application. Non-handed for standard, top-jamb or parallel arm installation
- Non-sized, 1 thru 6. FACTORY PRESET SIZE 3 meets ADA
- Standard adjustable back check function(BA)
- Adjustable closing and latching speed by two separate regulating valves
- Optional adjustable delayed action (DA)
- Preset at the factory for approximately 20 seconds, between 70° and 0°. Delay time easily adjusted up to 1 minute. 1303 DA
- Standard full plastic cover
- Self tapping screws and closer gauge for easy adjustment is standard feature

Mode NO.:1309 Door Closer

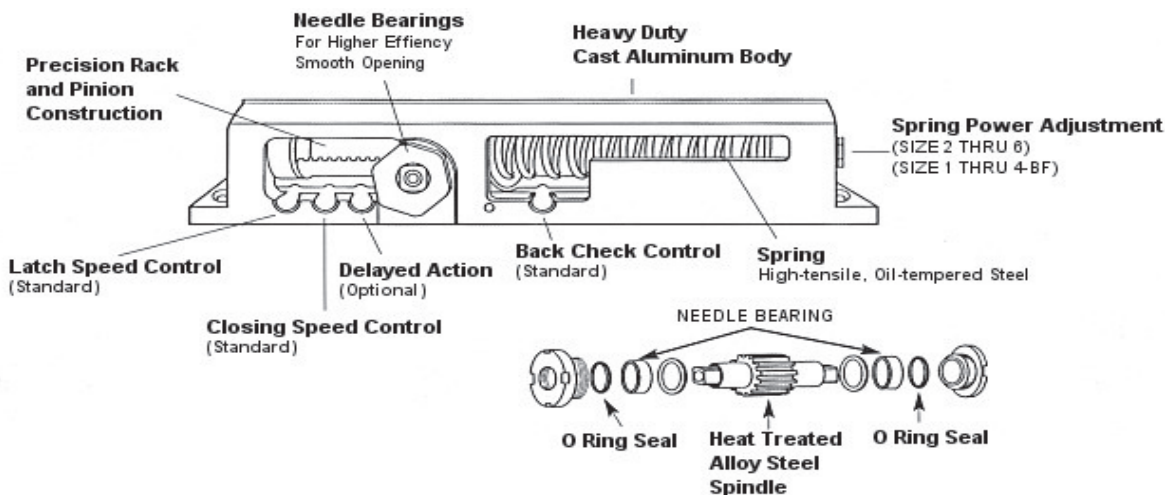
Full Cover Multi-size Full Feature Closer ANSI 156.4 Grade 1

Specifications:

- Description Size
- A. Length of Closer Body 11-3/4"
 - B. Horizontal Mounting Holes 11-1/8"
 - C. Vertical Mounting Holes 3/4"
 - D. Width of Closer Body 2"
 - E. Projection from Door 2-7/8"



UL Listed Conforms To Standards UL10C and UBC7-2-1997



Features:

- Universal application. Non-handed for standard, top-jamb or parallel arm installation
- Non-sized, 2 thru 6 and 1 thru 4 FACTORY PRESET SIZE 3
- Standard adjustable back-check function
- Adjustable closing and latching speed by two separate regulating valves
- Standard full plastic cover
- Extended long arm for top jamb mount with deep reveals.1309EXT
- ANSI 156.4 Grade 1: UL listed for fire door assemblies
- Available in Alum, Duro, Gold, US3, 26, 26D, 10A and US5 Finishes
- Optional adjustable delayed action (DA) Preset at the factory for approximately 20 seconds, between 70° and 0° Delay time easily adjusted up to 1 minute.
- Barrier free (BR) Meets ADA regulation. Size 1 thru 4. Engineered with reduced spring power to provide easier opening for handicapped or elderly.